

FLIP-FLOW SCREENING MACHINE

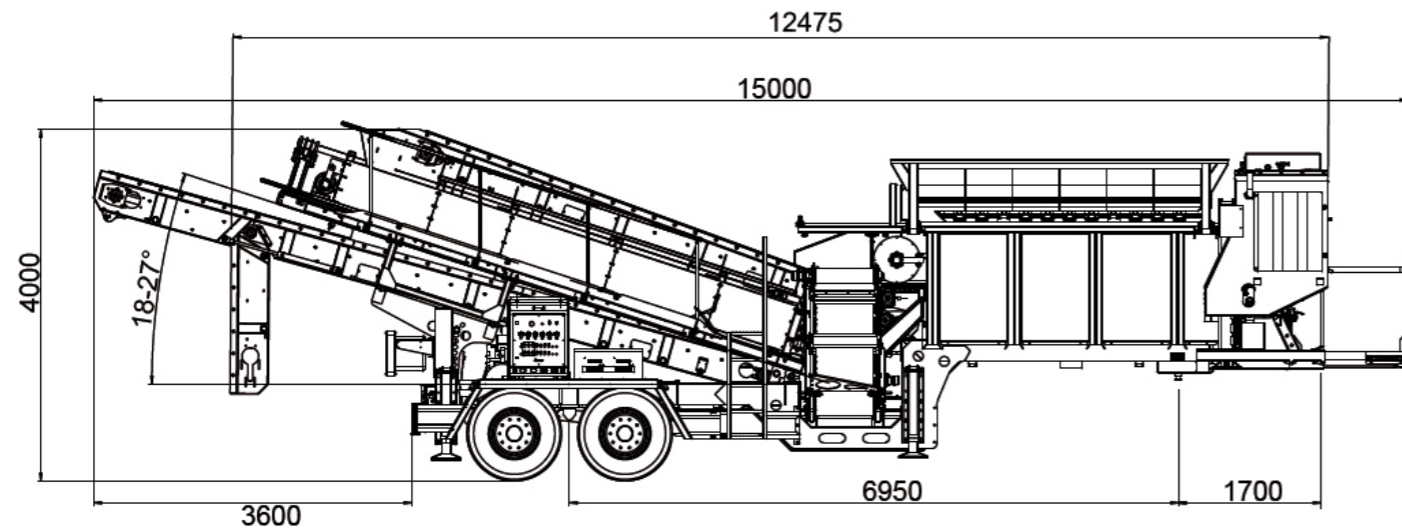
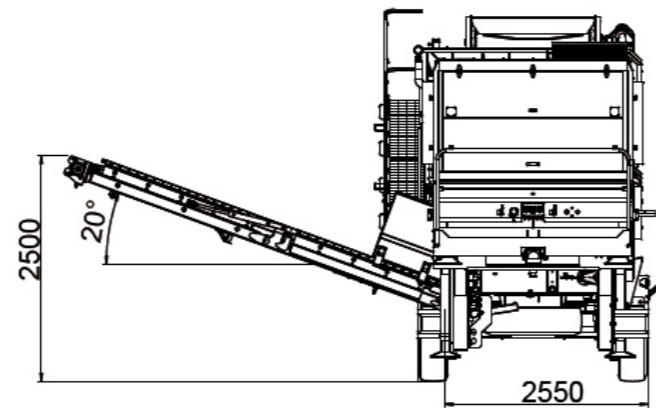
XF 75-2 SEMI-TRAILER



ANYTHING IS POSSIBLE

The flip-flow screening machine is well established for the screening of particularly difficult material, from gypsum and garden waste to household and bulky waste.

This screening technology is frequently and successfully applied in the field of composting. It masters wet and sticky residues without any clogging, thus considerably minimizing the cleaning effort.



	Semi-trailer for 80 km/h as per StVO, with ABS
Total weight	approx. 21,000 kg
Drive	Diesel hydraulic
Output	61 kW at 2,200 rpm
Emission standard	EU Stage V / EPA Tier 4 Final
Cubic capacity	4.5 litres
Fuel tank	300 litres
Hopper volume	up to 7.5 m ³
Screen deck	
Actual screen area	7.56 m ³
Width	1,500 mm
Length	5,040 mm
Fractions	up to < 1 mm
Screen mats	Square or slot hole design (suitable to the respective task)

